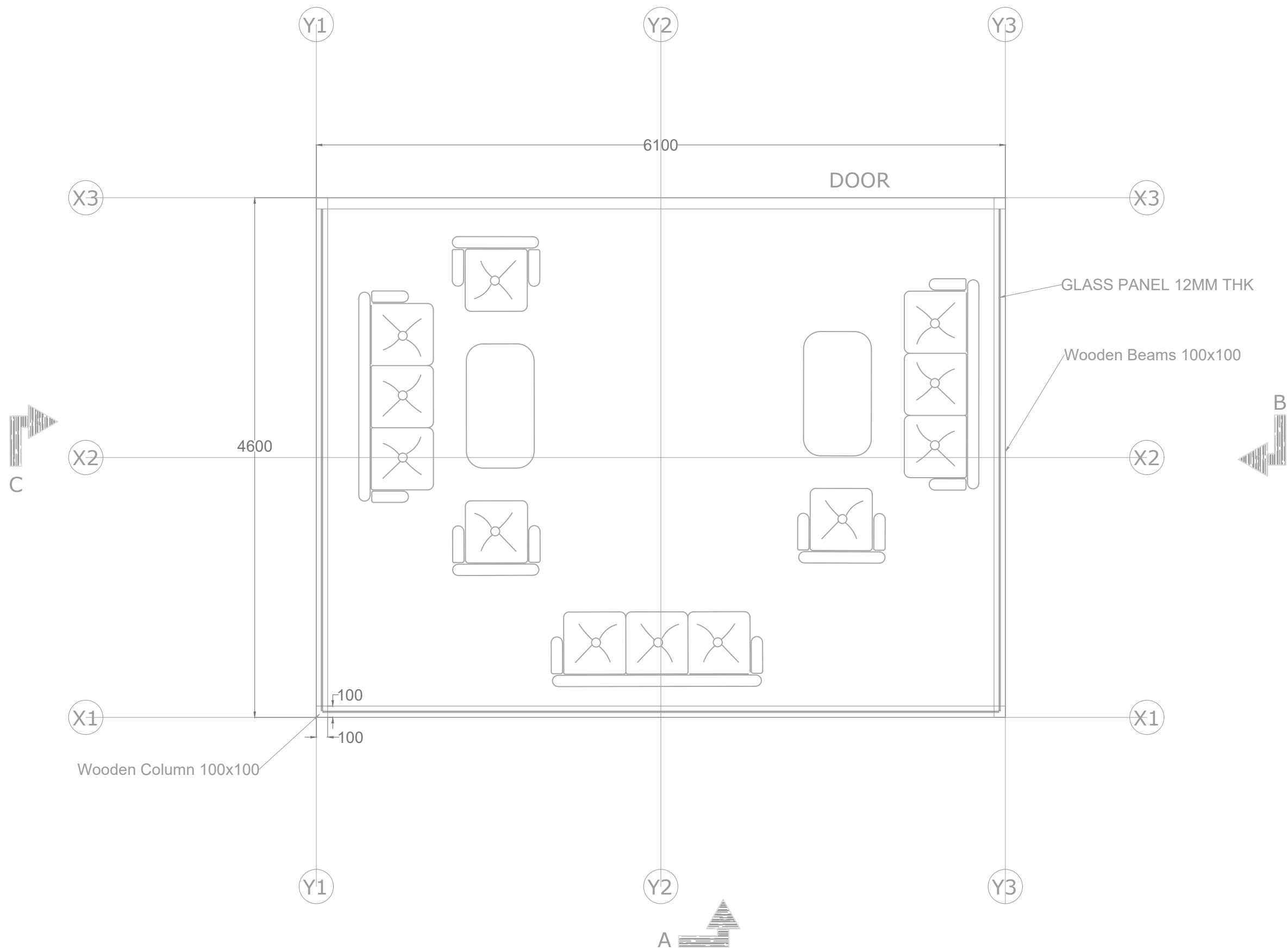
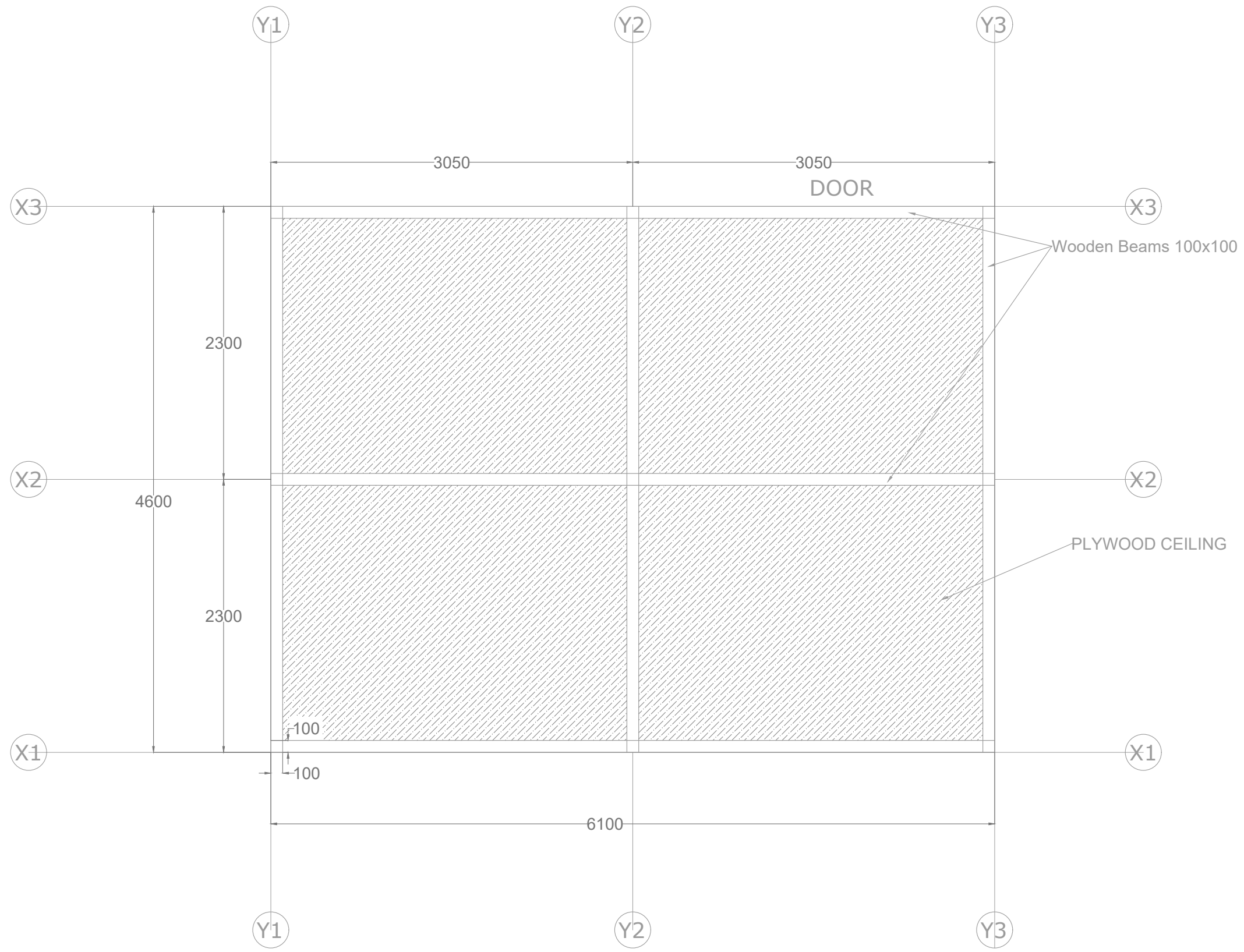


GLASS HOUSE CONSTRUCTION
AT
OLD AND NEW BSB BUILDING

*BHUTAN STANDARDS BUREAU
THIMPHU*

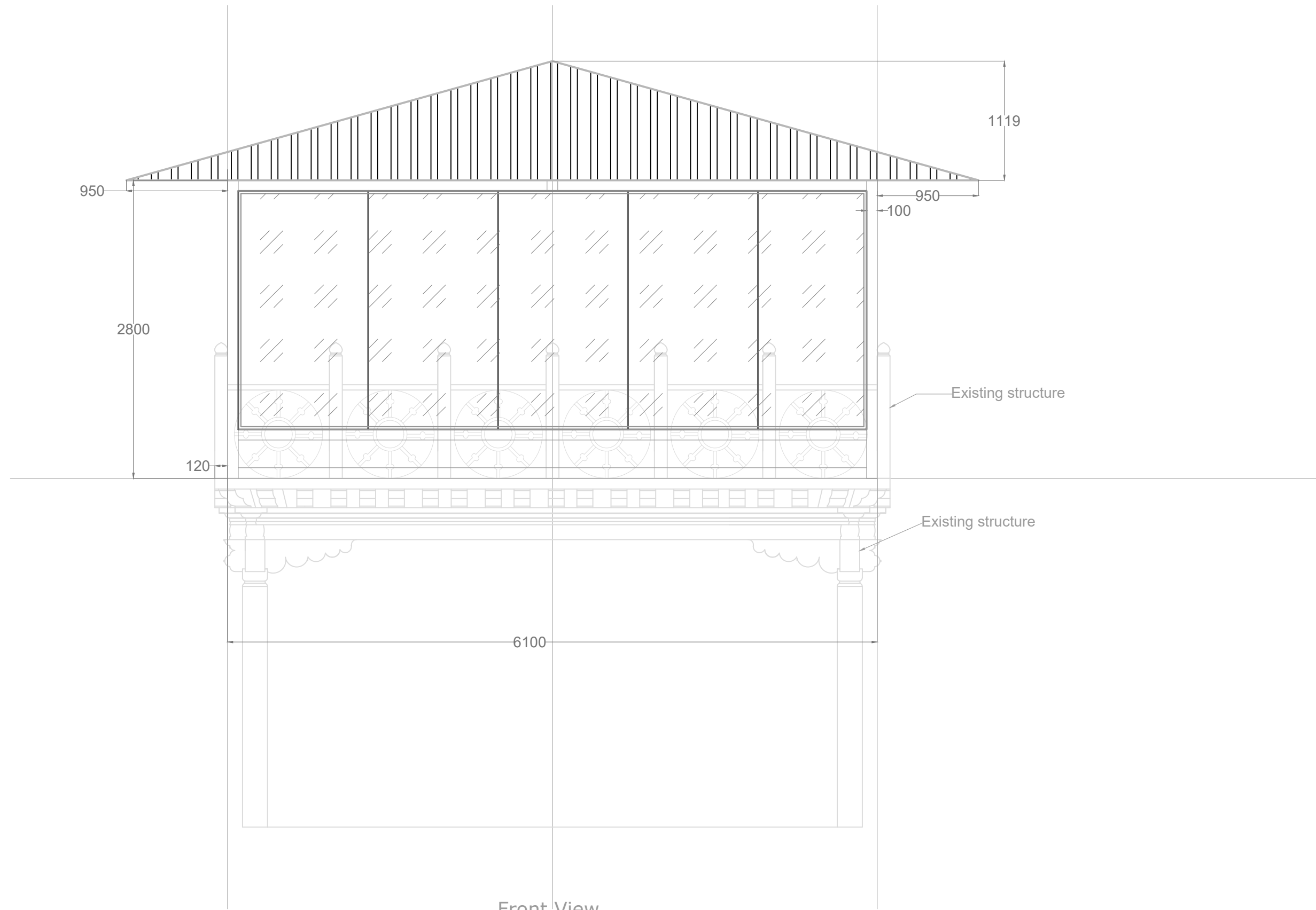


PROJECT: Glass House at Old BSB building	DRAWING TITLE		ENGINEER	OWNER	NOTES	DRAWING NO.
	SITE PLAN WITH DIMENSION					
	SCALE NTS	DATE 9 April 2021		BHUTAN STANDARDS BUREAU	ALL DIMENSIONS ARE IN MM UNLESS OTHERWISE STATED	DWG/01



ROOF PLAN

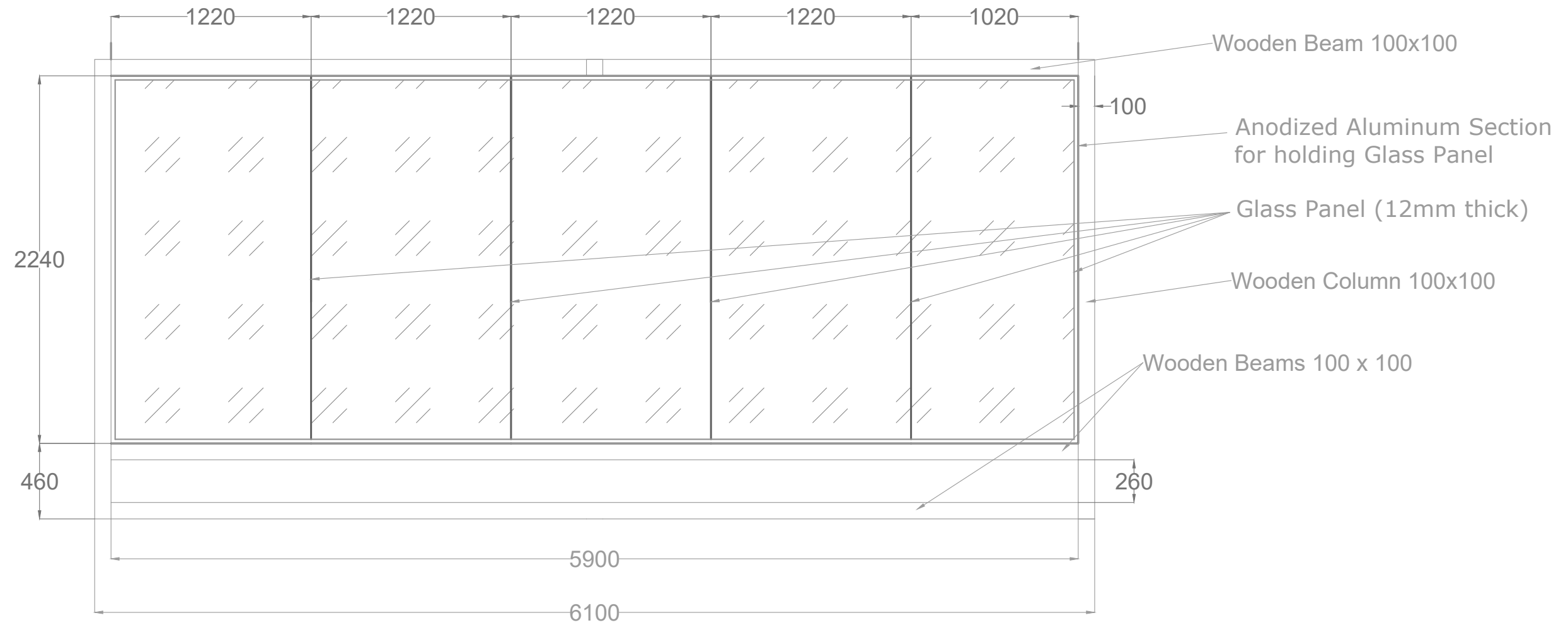
PROJECT: Glass House at Old BSB building	DRAWING TITLE		ENGINEER	OWNER	NOTES	DRAWING NO.
	ROOF PLAN WITH DIMENSION					
	SCALE NTS	DATE 9 April 2021		BHUTAN STANDARDS BUREAU	ALL DIMENSIONS ARE IN MM UNLESS OTHERWISE STATED	DWG/01



Front View

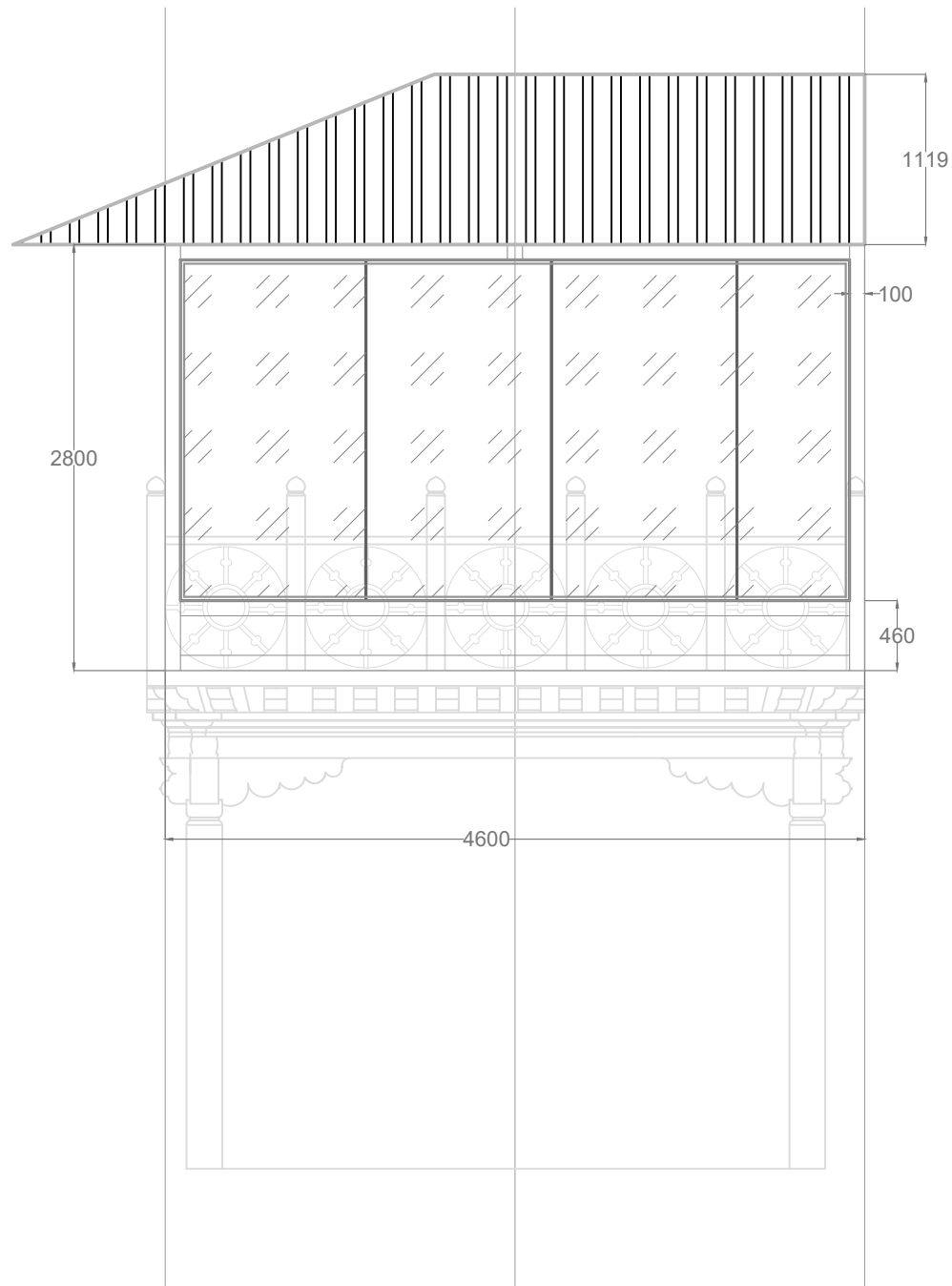
A

PROJECT: Glass House at Old BSB building	DRAWING TITLE FRONT VIEW (A)		ENGINEER	OWNER	NOTES	DRAWING NO.
	SCALE NTS	DATE 9 April 2021		BHUTAN STANDARDS BUREAU	ALL DIMENSIONS ARE IN MM UNLESS OTHERWISE STATED	DWG/02



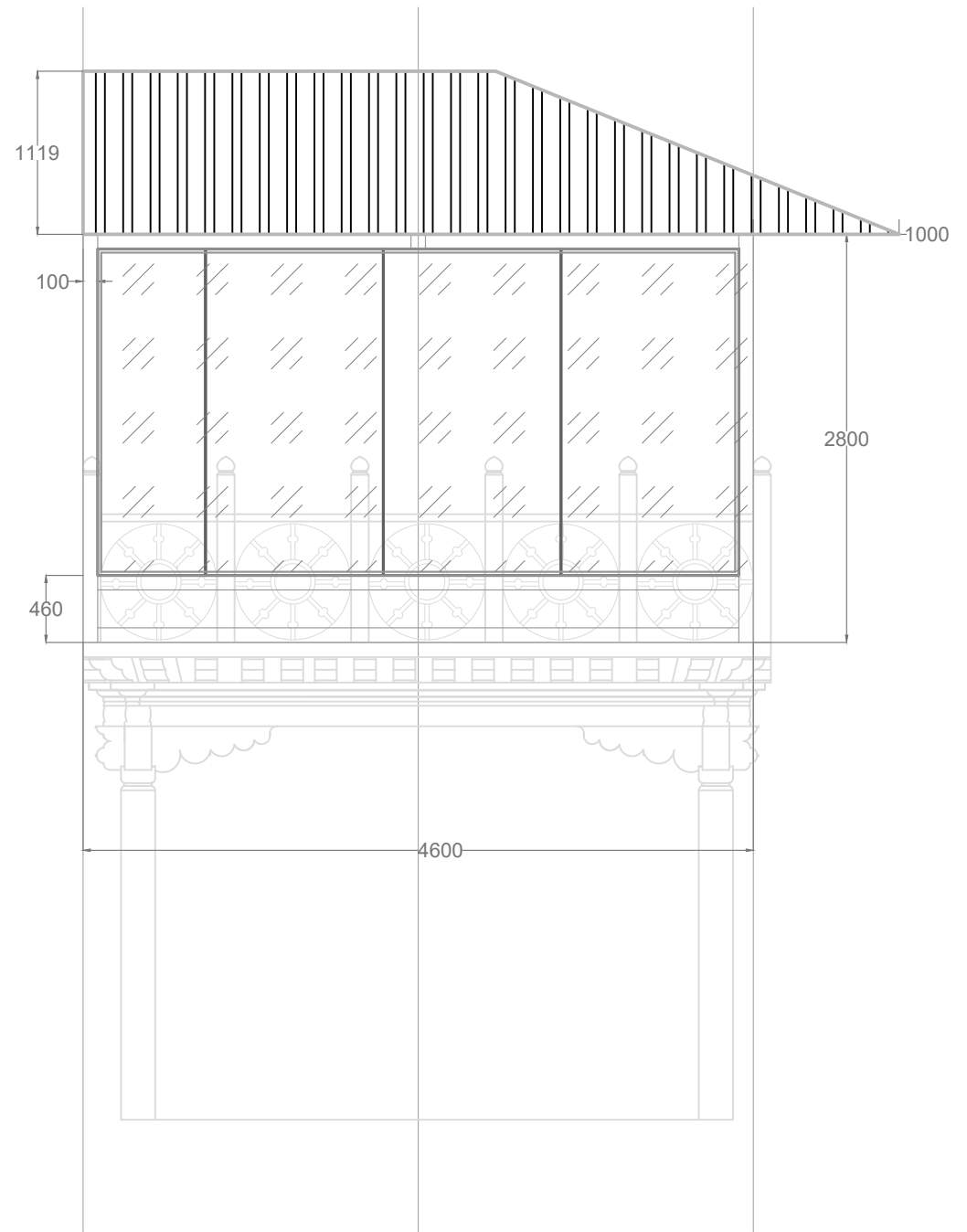
VIEW (A) WITH DETAILS OF PROPOSED SECTIONS

PROJECT: Glass House at Old BSB building	DRAWING TITLE VIEW (A) WITH DETAILS OF PROPOSED SECTIONS		ENGINEER	OWNER	NOTES	DRAWING NO.
	SCALE NTS	DATE 9 April 2021		BHUTAN STANDARDS BUREAU	ALL DIMENSIONS ARE IN MM UNLESS OTHERWISE STATED	DWG/02



Right side View

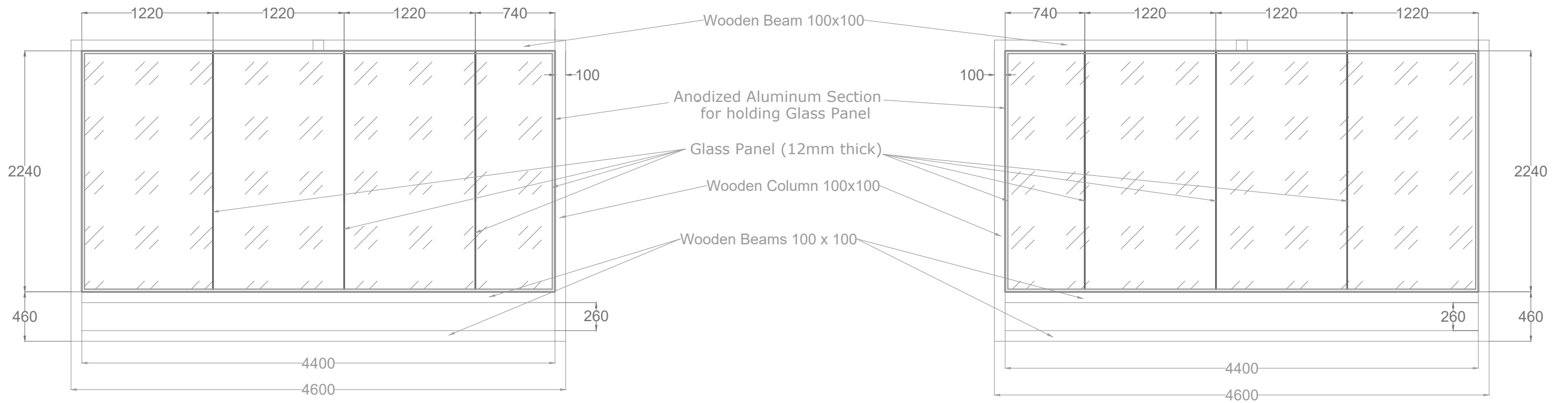
B



Left Side View

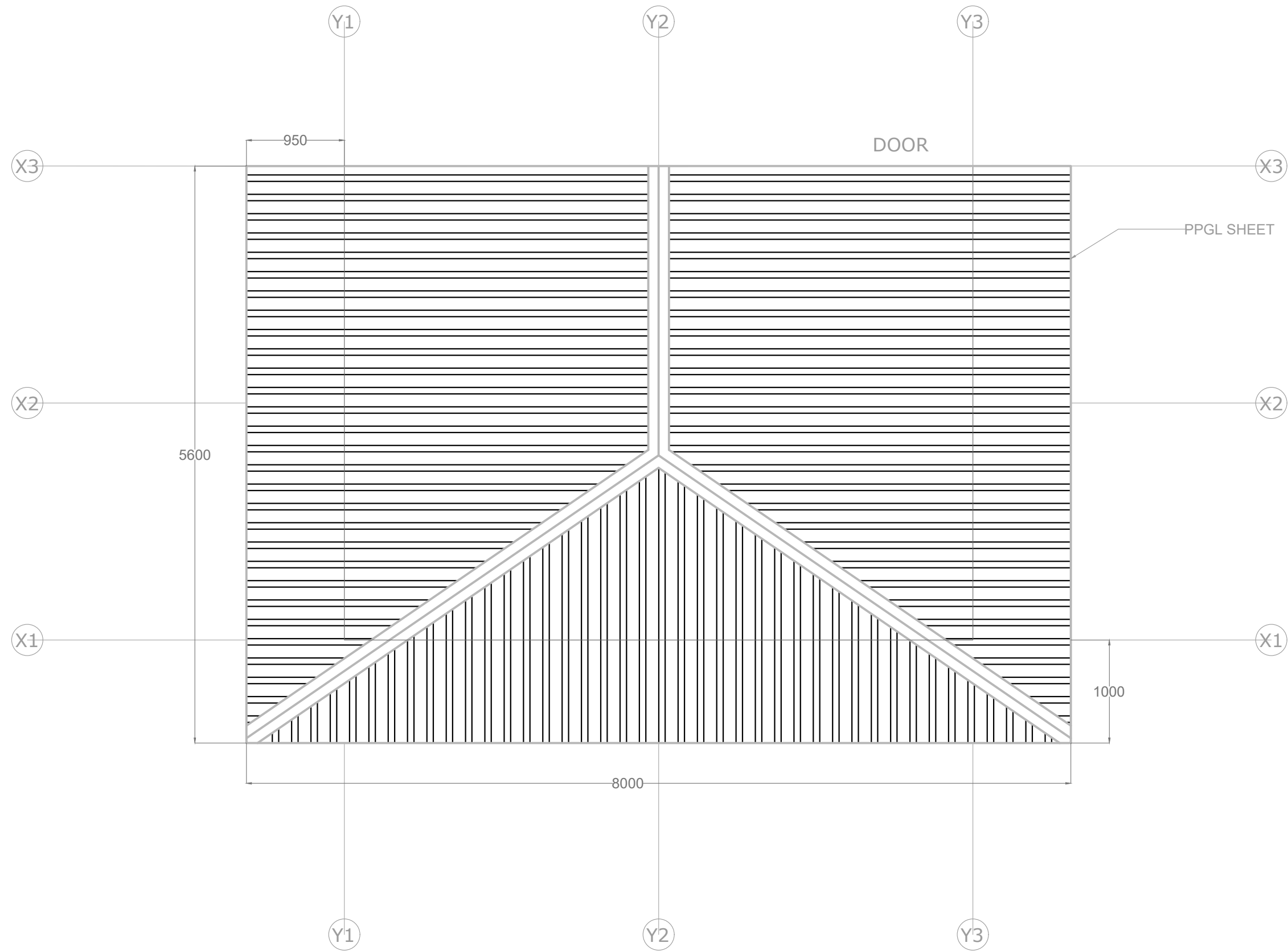
C

PROJECT: Glass House at Old BSB building	DRAWING TITLE VIEW B and C		ENGINEER	OWNER	NOTES	DRAWING NO.
	SCALE NTS	DATE 9 April 2021		BHUTAN STANDARDS BUREAU	ALL DIMENSIONS ARE IN MM UNLESS OTHERWISE STATED	DWG/03



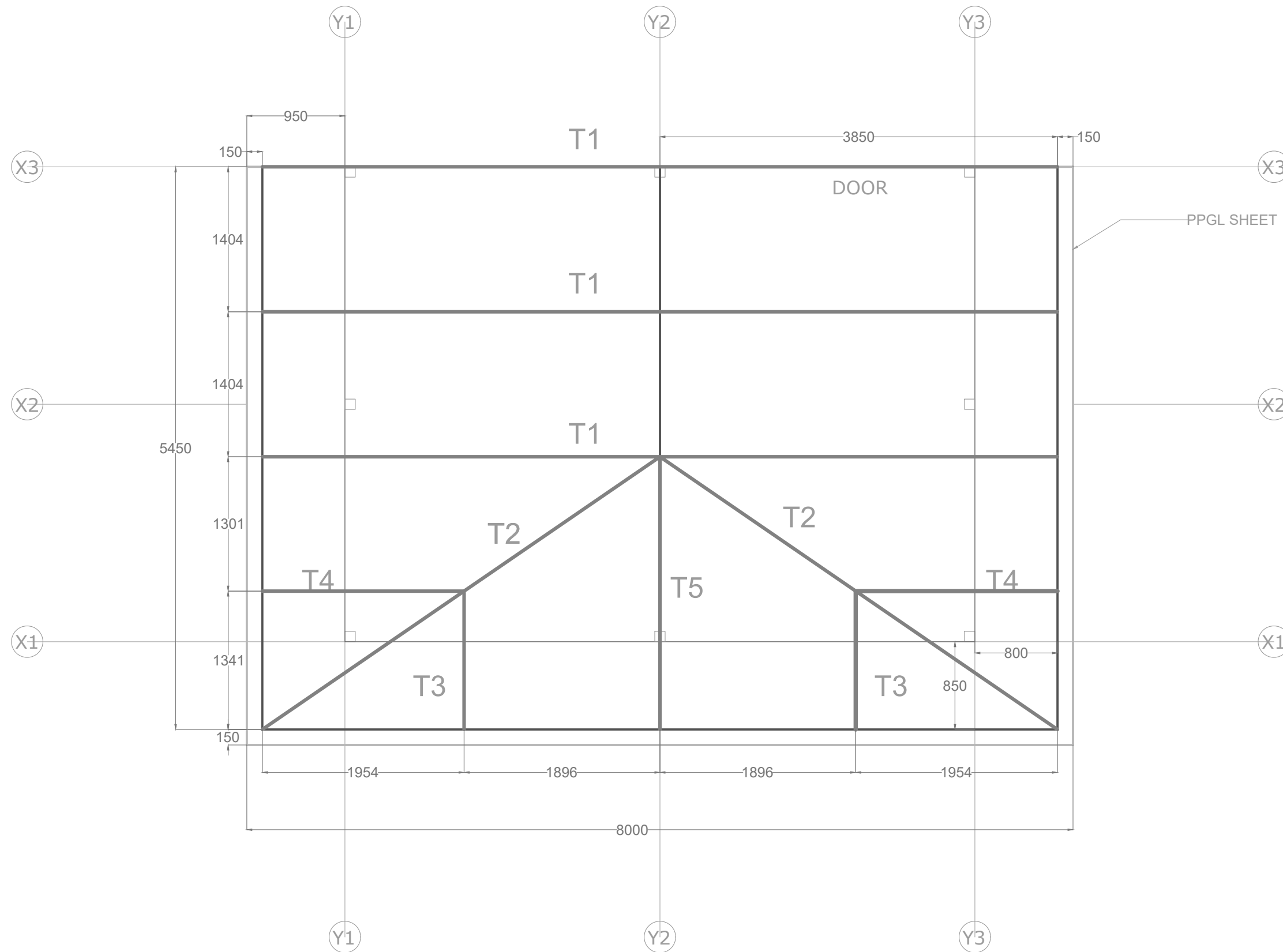
VIEW (B) AND (C) WITH DETAILS OF PROPOSED SECTIONS

PROJECT: Glass House at Old BSB building	DRAWING TITLE VIEW (B) AND (C) WITH DETAILS OF PROPOSED SECTIONS		ENGINEER	OWNER	NOTES	DRAWING NO.
	SCALE NTS	DATE 9 April 2021		BHUTAN STANDARDS BUREAU	ALL DIMENSIONS ARE IN MM UNLESS OTHERWISE STATED	DWG/03



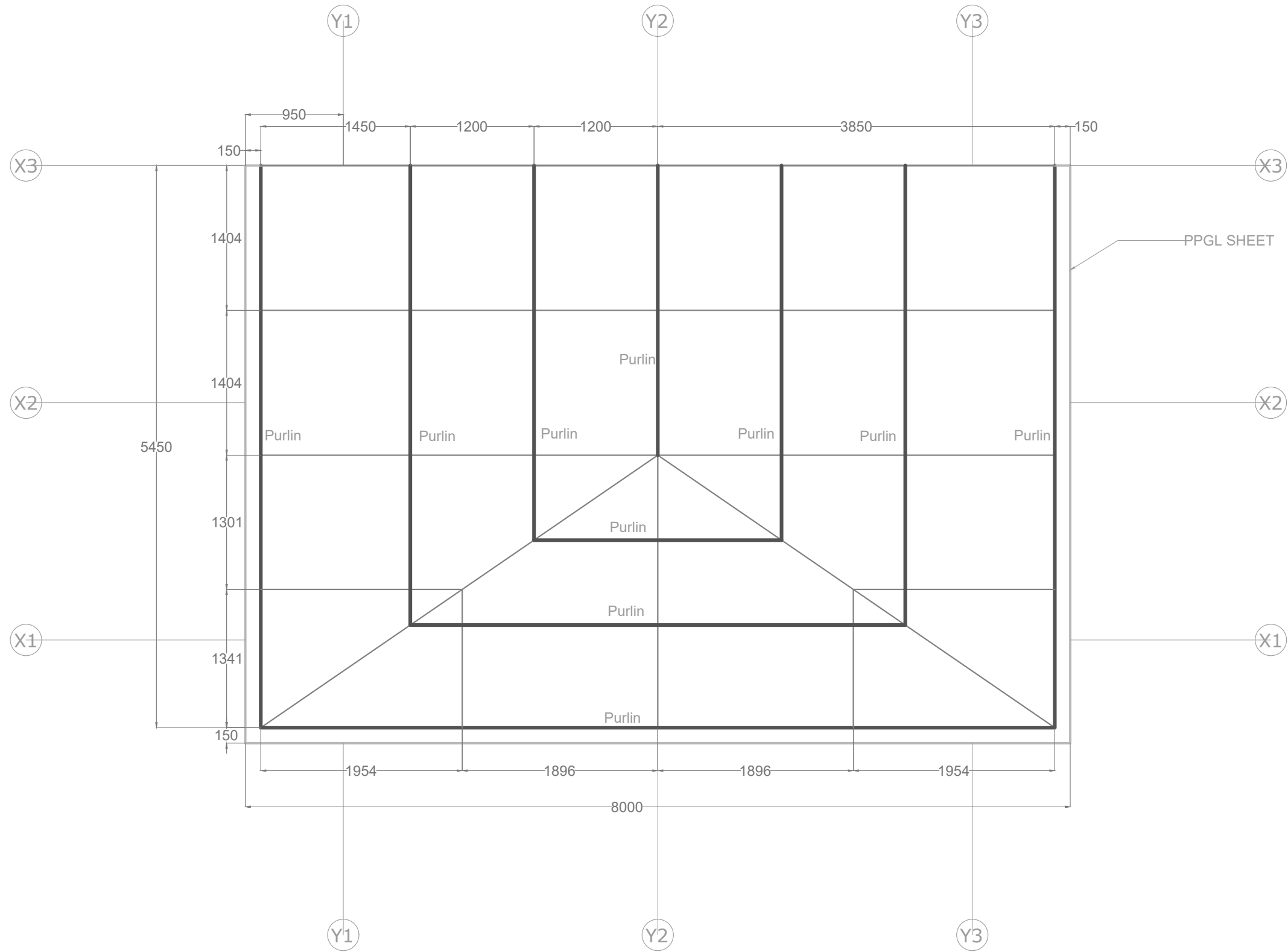
Roof Plan

PROJECT: Glass House at Old BSB building	DRAWING TITLE ROOF PLAN		ENGINEER	OWNER	NOTES	DRAWING NO.
	SCALE NTS	DATE 9 April 2021		BHUTAN STANDARDS BUREAU	ALL DIMENSIONS ARE IN MM UNLESS OTHERWISE STATED	DWG/05



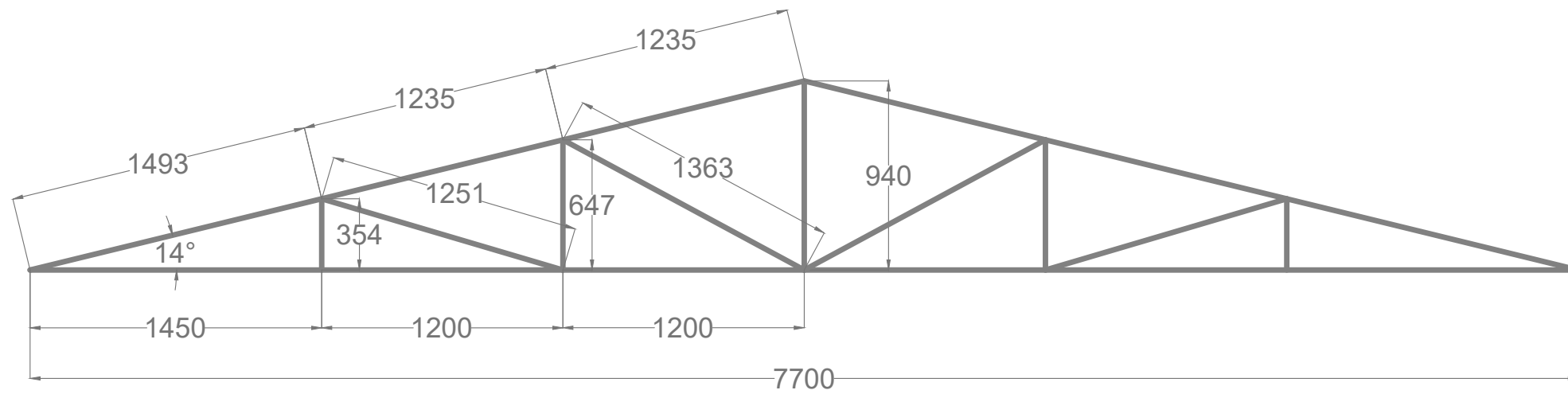
Truss Layout

PROJECT: Glass House at Old BSB building	DRAWING TITLE TRUSS LAYOUT		ENGINEER	OWNER	NOTES	DRAWING NO.
	SCALE NTS	DATE 9 April 2021		BHUTAN STANDARDS BUREAU	ALL DIMENSIONS ARE IN MM UNLESS OTHERWISE STATED	DWG/05

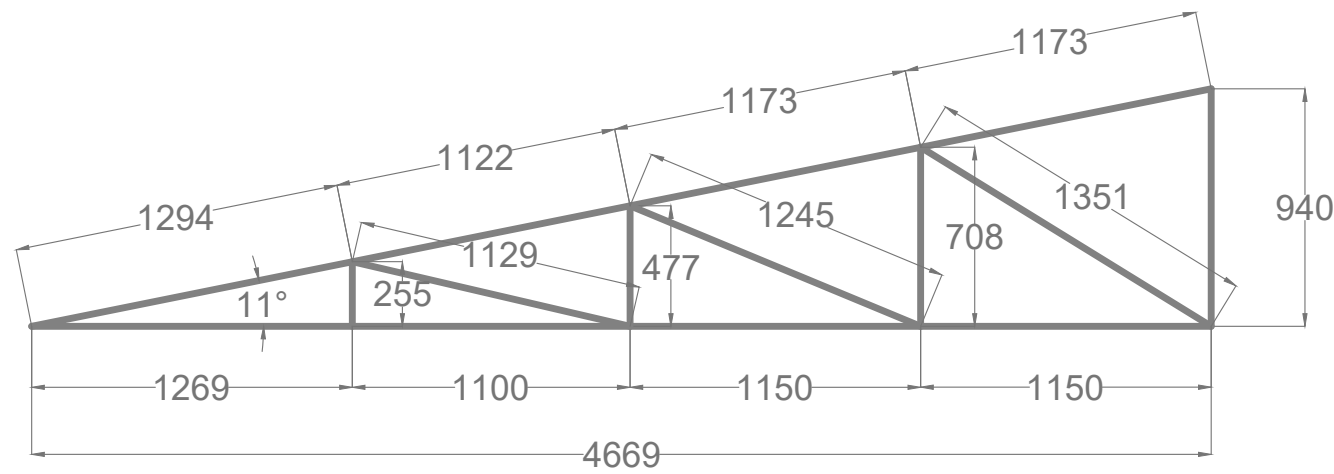


Purlin Layout

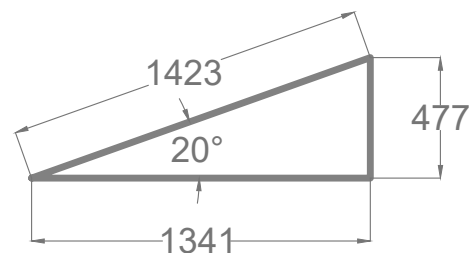
PROJECT: Glass House at Old BSB building	DRAWING TITLE PURLIN LAYOUT		ENGINEER	OWNER	NOTES	DRAWING NO.
	SCALE NTS	DATE 9 April 2021		BHUTAN STANDARDS BUREAU	ALL DIMENSIONS ARE IN MM UNLESS OTHERWISE STATED	DWG/05



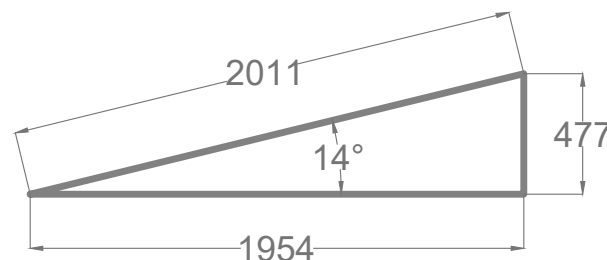
T1



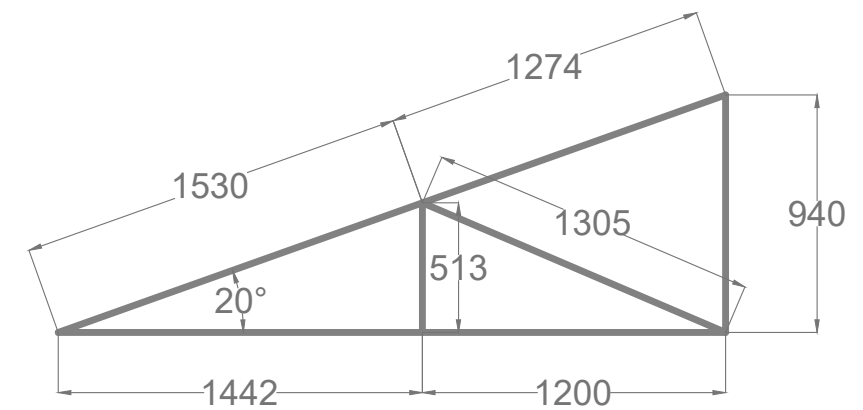
T2



T3



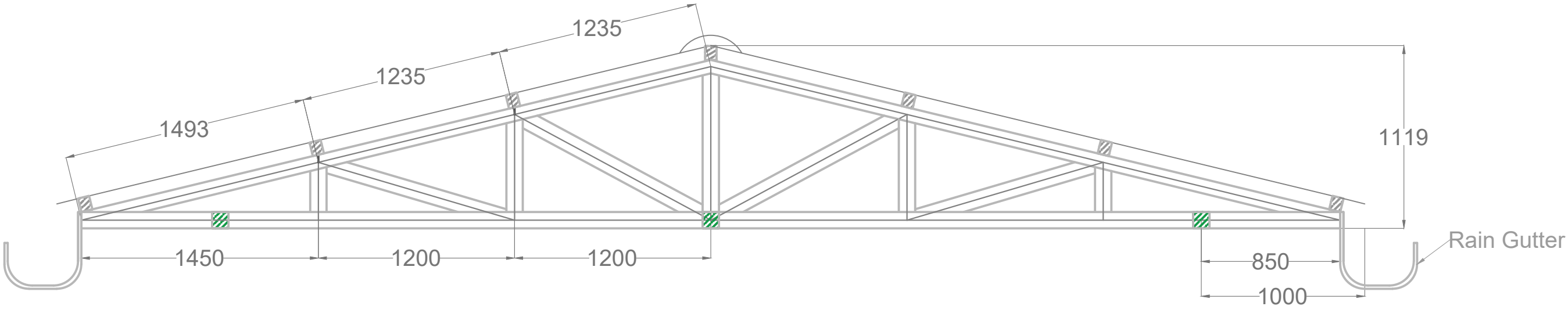
T4




T5

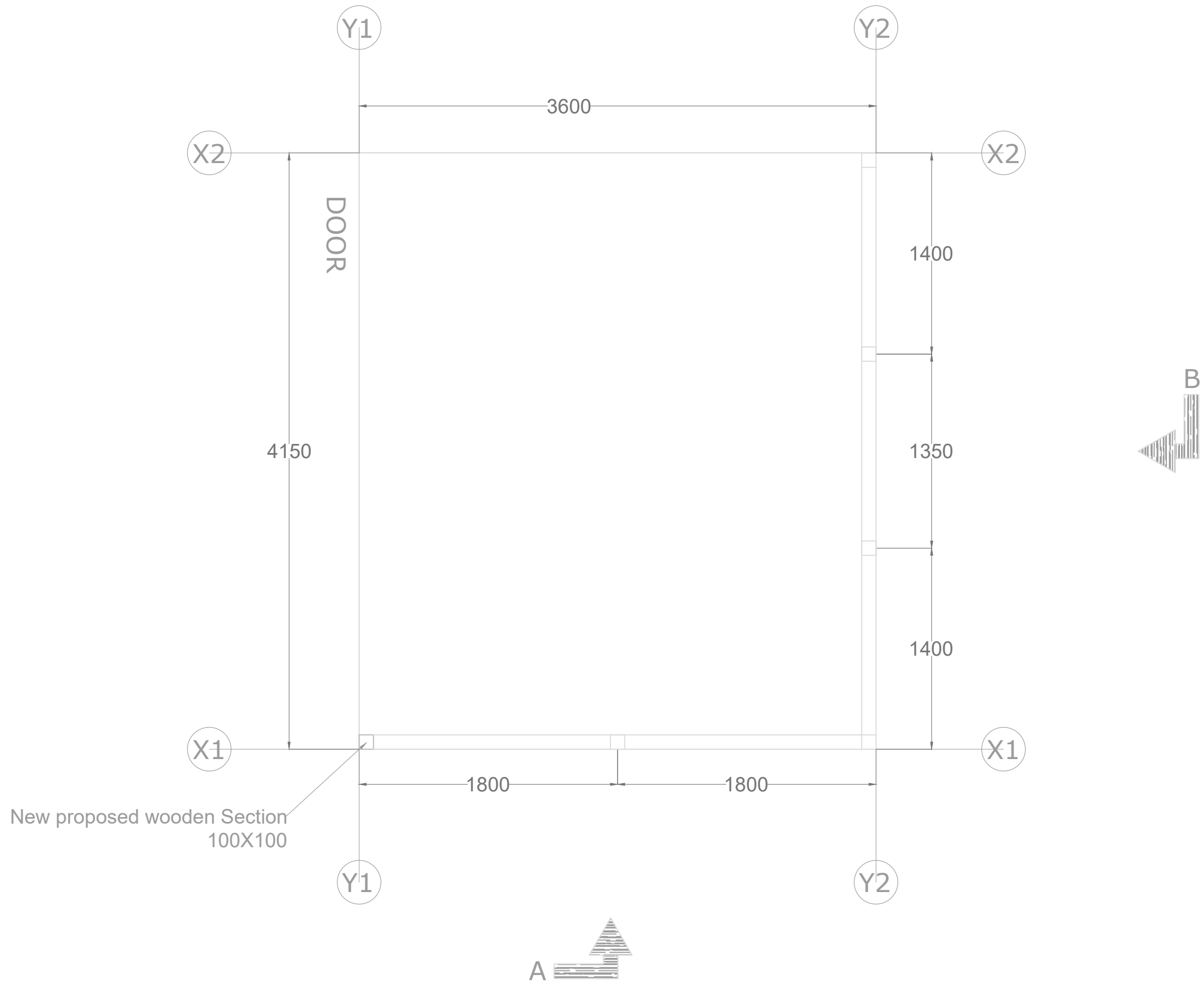
PROJECT: Glass House at Old BSB building	DRAWING TITLE TRUSS MEMBERS		ENGINEER	OWNER	NOTES	DRAWING NO.
	SCALE NTS	DATE 9 April 2021		BHUTAN STANDARDS BUREAU	ALL DIMENSIONS ARE IN MM UNLESS OTHERWISE STATED	DWG/04

All Wood block cross section: 100x100

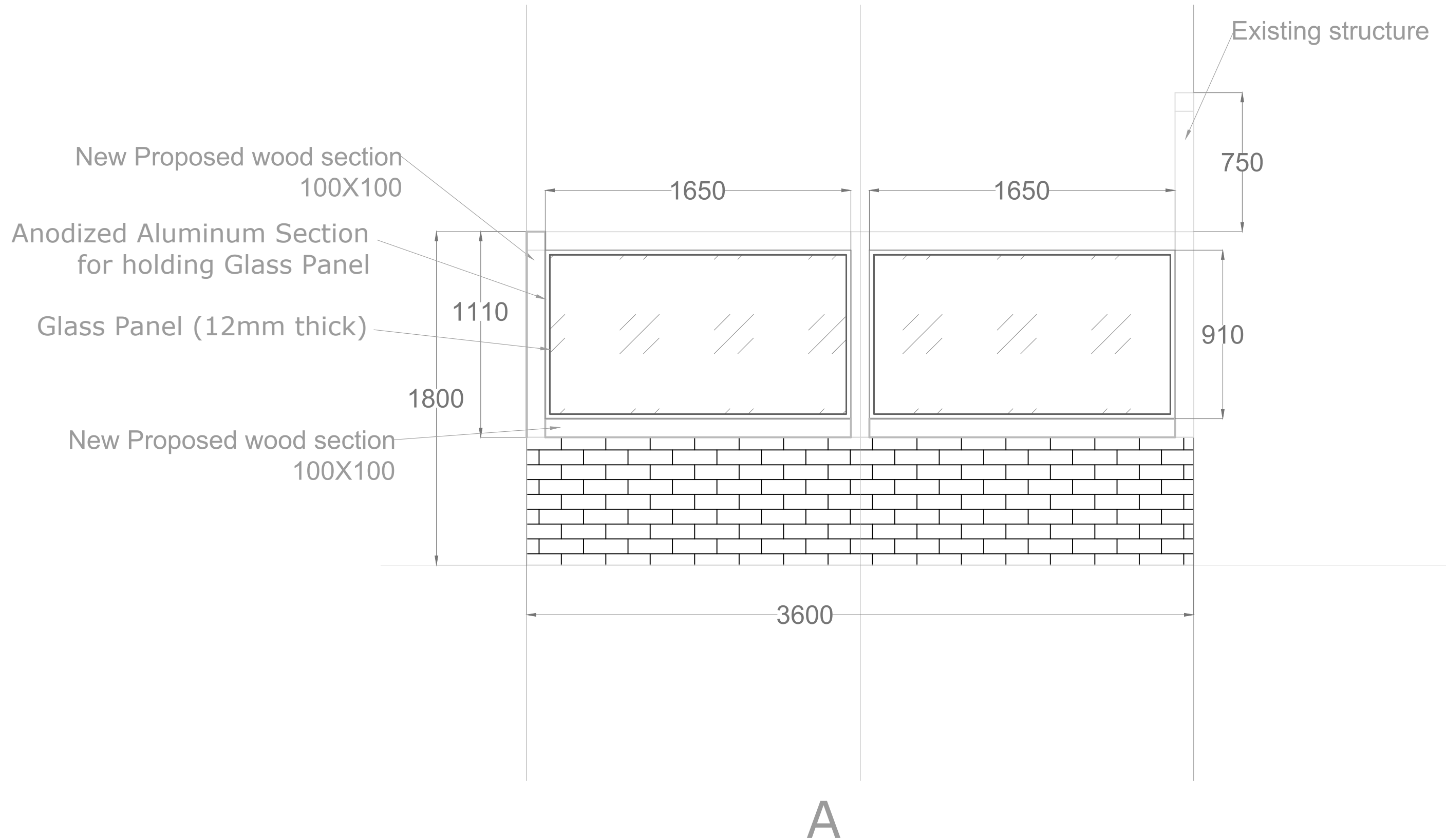


ROOFING SECTION (TRUSS T1)

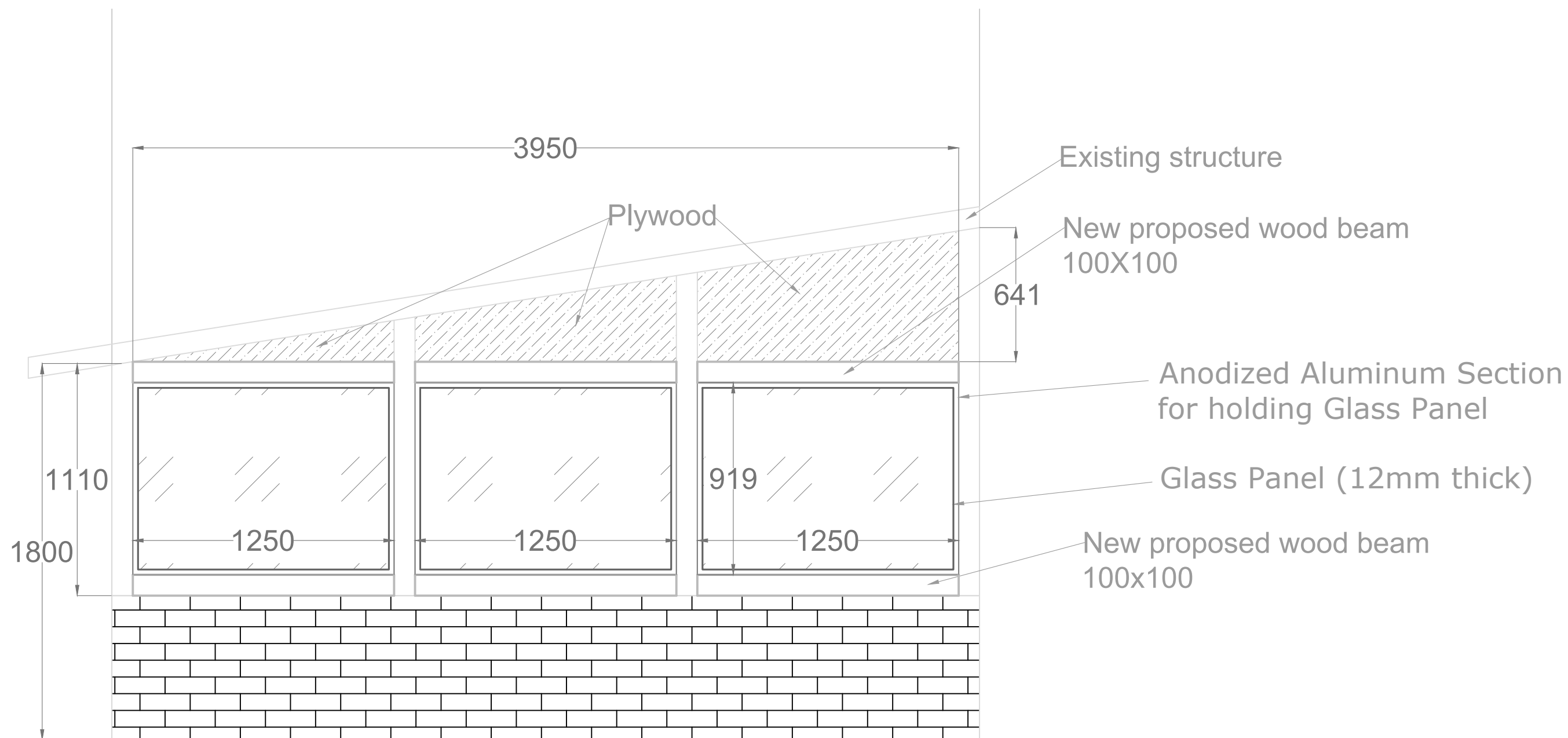
PROJECT: Glass House at Old BSB building	DRAWING TITLE ROOFING SECTION WITH TRUSS		ENGINEER	OWNER	NOTES	DRAWING NO.
	SCALE NTS	DATE 9 April 2021		BHUTAN STANDARDS BUREAU	ALL DIMENSIONS ARE IN MM UNLESS OTHERWISE STATED	DWG/06



PROJECT: Glass House at New BSB building	DRAWING TITLE EXISTING PLAN WITH PROPOSED SECTION		ENGINEER	OWNER	NOTES	DRAWING NO.
	SCALE NTS	DATE 9 April 2021		BHUTAN STANDARDS BUREAU	ALL DIMENSIONS ARE IN MM UNLESS OTHERWISE STATED	DWG/0A



PROJECT: Glass House at New BSB building	DRAWING TITLE VIEW A		ENGINEER	OWNER	NOTES	DRAWING NO.
	SCALE NTS	DATE 9 April 2021		BHUTAN STANDARDS BUREAU	ALL DIMENSIONS ARE IN MM UNLESS OTHERWISE STATED	DWG/0B



B

PROJECT: Glass House at New BSB building	DRAWING TITLE VIEW B		ENGINEER	OWNER	NOTES	DRAWING NO.
	SCALE NTS	DATE 9 April 2021		BHUTAN STANDARDS BUREAU	ALL DIMENSIONS ARE IN MM UNLESS OTHERWISE STATED	DWG/0C